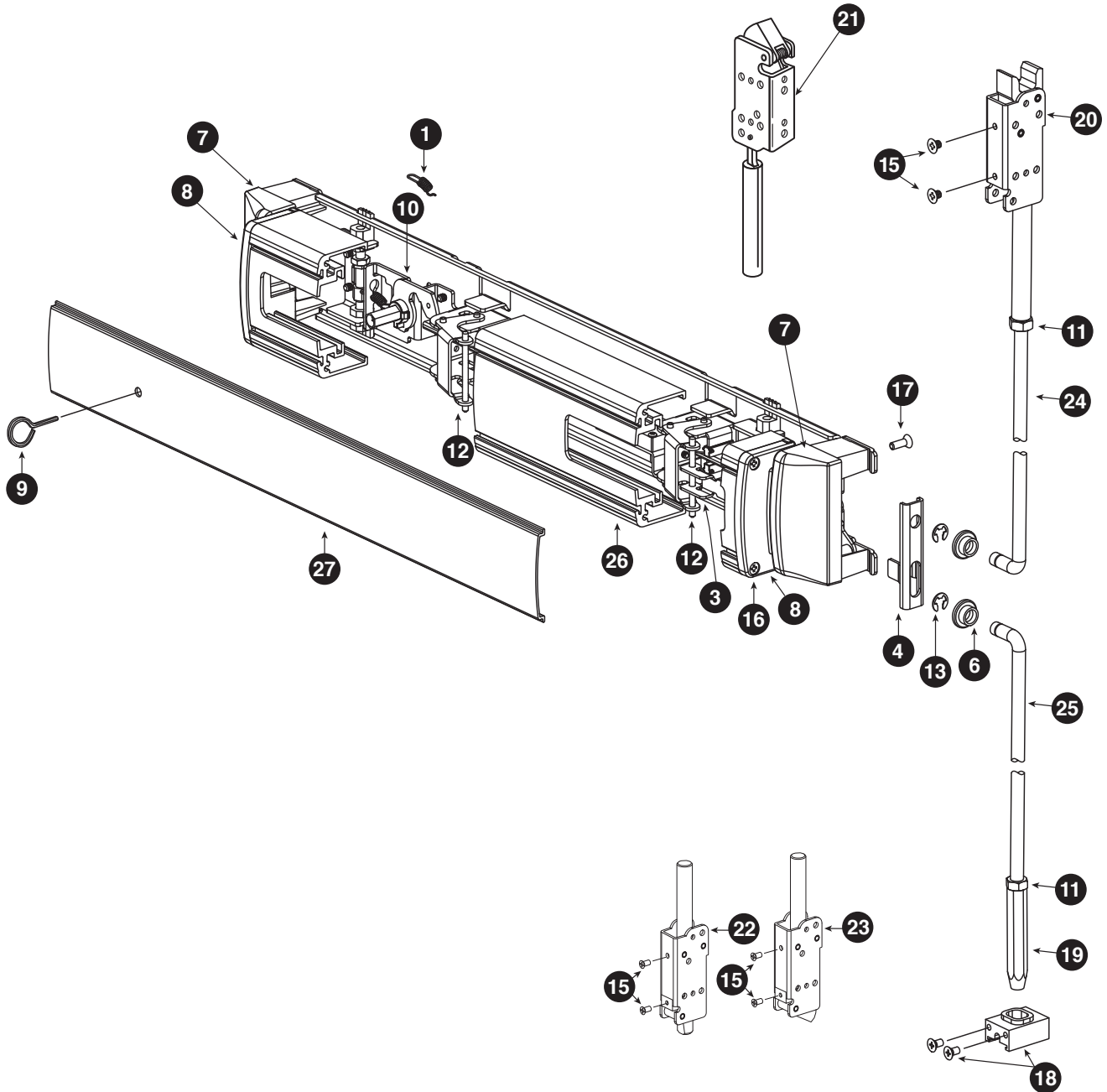


# 2390 Series

## Exploded View and Parts List



Prices subject to change without notice

## 2390 Series

	Part No.	Description	Finish	Pkg Qty	List Price	
	1	971493-76	Dogging Spring	-	each	6.00
	2	AXLE.1006	Lift Lever Axle	-	each	6.00
	3	BRKT.137	Pushbar Anchor Bracket	-	each	14.00
	4	BRKT.143	Lift Bracket	-	each	13.00
	5	BRKTASY.107	Actuator Arm Bracket Assembly	-	each	14.00
	6	BUSH.109	Bearing Bushing	-	10	23.00
	7	COVER.127	Fixed Cover	-	each	31.00
	8	ECAP.143	Moving Pushbar End Cap	-	each	12.00
	9	KEY.10020	Hex Dogging Key 5/32"	-	10	42.00
	10	KIT.1197	Dogging Kit	-	each	30.00
	11	NUT.101	Rod Jam Nut	-	10	21.00
	12	PIN.128	Pushbar Pin	-	10	11.00
		PKG.134	Mounting Package (parts 4,6,9,13,15 on page 105)	US32D	each	23.00
		PKG.135	Mounting Package (parts 4,6,9,13,15 on page 105)	DC35	each	23.00
	13	RRING.109	Retaining Ring .250	-	25	19.00
	15	SCREW.1028	10-32 1/4" UFPHMS	US32D	10	21.00
		SCREW.1029	10-32 1/4" UFPHMS	BLACK	10	21.00
	16	★ SCREW.1077	#8 3/4" FPH TF AB Screw (before September, 2004)	-	10	21.00
		SCREW.1141	8-18 .3/4" FPH TF Typ 25	-	10	15.00
	17	SCREW.1088	12-14 1/2" UFPH MS Typ 25 Screw	-	10	15.00
		SCREW.1121	10-32 3/8" UFPH TF	US28	8	9.00
		SCREW.1114	10-32 3/8" UFPH TF	DC13/DC35	8	9.00
		SCREW.1076	Hex Rod Guide Screws	US28	10	8.00
		SCREW.1081	Hex Rod Guide Screws	DC13/DC35	10	8.00
		EXTROD.1001	Extension Rod Kit (not shown)	-	each	116.00
	18	4270107176	Hex Rod Guide Assembly	US32D	each	36.00
		4270107178	Hex Rod Guide Assembly	P35	each	36.00
	19	BOLT.1004	Hex Bottom Bolt-Beveled	-	each	42.00
	20	4270101806	SU Top Latch	-	each	101.00
	21	4270100346	ES Top Latch	-	each	118.00
	22	4270100521	RL Bottom Latch	-	each	87.00
	23	4270101482	PL Bottom Latch	-	each	87.00
		PIN.110	ES Latch Pin	-	10	20.00
		PIN.109	SU/ES/PL/HH Latch Spirol Pin	-	10	15.00
		● SWITCH.1006	RX Switch Wire Assembly (not shown)	-	each	199.00
t			Valid for Field Install RX Option on Devices shipped after June, 2002			
		110388-00	EL Cable Assembly (not shown)	-	each	35.00
		050534-00	EL Potted Circuit Breaker (not shown)	-	each	219.00
		971687-00	EL Solenoid 24VDC (not shown)	-	each	224.00
		PLUNGER.101	EL Plunger (not shown)	-	each	65.00
	24	ROD.1043	Top Rod 34.000", CL=42.5, DH=83.1875"	-	each	32.00
		4270103324	Top Rod 35.500", CL=41.25, DH=83.1875"	-	each	32.00
		ROD.1082	Top Rod 39.000", CL=37.875, DH=83.1875"	-	each	32.00
		ROD.1036	Top Rod 36.500", CL=40, DH=83.1875"	-	each	32.00
	25	ROD.1080	Bottom Rod 40.000", CL=42.500"	-	each	32.00
		ROD.1044	Bottom Rod 38.500", CL=41.250"	-	each	32.00
		4270100017	Bottom Rod 35.125", CL=37.875"	-	each	32.00
		ROD.1011	Bottom Rod 37.500", CL=40"	-	each	32.00
		KIT.1128	2390 LBR KIT	-	each	14.00

## REFERENCE NOTES:

- RX Switch Kit valid for Field Install RX option on devices shipped after June, 2002
- ★ For Devices shipped before September, 2004.

Prices subject to change without notice

## 2390 Series (continued)

	Part No.	Description	Finish	List Price
26	EXT.3000	Pushbar 21"	US28	139.00
	EXT.3001	Pushbar 21"	DC13	150.00
	EXT.3002	Pushbar 21"	DC35	150.00
	EXT.3003	Pushbar 21"	Champagne	150.00
	EXT.3004	Pushbar 24"	US28	163.00
	EXT.3005	Pushbar 24"	DC13	179.00
	EXT.3006	Pushbar 24"	DC35	179.00
	EXT.3007	Pushbar 24"	Champagne	179.00
27	EXT.3008	Coverplate 21"	US28	54.00
	EXT.3009	Coverplate 21"	DC13	63.00
	EXT.3010	Coverplate 21"	DC35	63.00
	EXT.3011	Coverplate 21"	Champagne	63.00
	EXT.3012	Coverplate 24"	US28	61.00
	EXT.3013	Coverplate 24"	DC13	71.00
	EXT.3014	Coverplate 24"	DC35	71.00
	EXT.3015	Coverplate 24"	Champagne	71.00
	EXT.3050	EL Coverplate 21"	US28	54.00
	EXT.3051	EL Coverplate 21"	DC13	63.00
	EXT.3052	EL Coverplate 21"	DC35	63.00
	EXT.3053	EL Coverplate 21"	Champagne	63.00
	EXT.3054	EL Coverplate 24"	US28	61.00
	EXT.3055	EL Coverplate 24"	DC13	71.00
	EXT.3056	EL Coverplate 24"	DC35	71.00
	EXT.3057	EL Coverplate 24"	Champagne	71.00
	CHASY.147	Channel Assembly 36" Door (supplied for field sizing)	US28	91.00
	CHASY.160	Channel Assembly 36" Door (supplied for field sizing)	DC13	110.00
	CHASY.107	Channel Assembly 36" Door (supplied for field sizing)	DC35	110.00
	CHASY.158	Channel Assembly 36" Door (supplied for field sizing)	Champagne	146.00
	CHASY.108	Channel Assembly 48" Door (supplied for field sizing)	US28	103.00
	CHASY.109	Channel Assembly 48" Door (supplied for field sizing)	DC13	148.00
	CHASY.125	Channel Assembly 48" Door (supplied for field sizing)	DC35	148.00
	CHASY.207	Channel Assembly 48" Door (supplied for field sizing)	Champagne	148.00
	EXT.2927	Filler Plate 16.50", 42" Door (supplied for field sizing)	US28	29.00
	EXT.2949	Filler Plate 16.50", 42" Door (supplied for field sizing)	DC13	31.00
	EXT.2950	Filler Plate 16.50", 42" Door (supplied for field sizing)	DC35	31.00
	EXT.2951	Filler Plate 16.50", 42" Door (supplied for field sizing)	Champagne	31.00
	EXT.440	Filler Plate 19.50", 48" Door (supplied for field sizing)	US28	30.00
	EXT.445	Filler Plate 19.50", 48" Door (supplied for field sizing)	DC13	32.00
	EXT.450	Filler Plate 19.50", 48" Door (supplied for field sizing)	DC35	32.00
	EXT.2244	Filler Plate 19.50", 48" Door (supplied for field sizing)	Champagne	32.00
	● RODASY.10001	Top Rod Assy RHR AL=40.176", CL=42.500", DH=83.1875"		136.00
	● RODASY.10002	Top Rod Assy RHR AL=41.426", CL=41.250" DH=83.1875"		136.00
	● RODASY.10003	Top Rod Assy RHR AL=44.801", CL=37.875", DH=83.1875"		160.00
	● RODASY.10004	Top Rod Assy RHR AL=42.676", CL=40", DH=83.1875"		136.00
	● RODASY.10005	Top Rod Assy RHR AL=41.489", CL=41.250", DH=83.1875"		136.00
	● RODASY.10006	Top Rod Assy LHR AL=40.176", CL=42.500", DH=83.1875"		136.00
	● RODASY.10007	Top Rod Assy LHR AL=41.426", CL=41.250", DH=83.1875"		136.00
	● RODASY.10008	Top Rod Assy LHR AL=44.801", CL=37.875", DH=83.1875"		160.00
	● RODASY.10009	Top Rod Assy LHR AL=42.676", CL=40", DH=83.1875"		136.00
	● RODASY.10010	Top Rod Assy LHR AL=41.489", CL=41.250", DH=83.1875"		136.00
	● RODASY.10011	Bottom Rod Assy AL=41.877", CL=42.500"		71.00
	● RODASY.10012	Bottom Rod Assy AL=40.627", CL=41.250"		71.00
	● RODASY.10013	Bottom Rod Assy AL=37.252", CL=37.875"		71.00
	● RODASY.10014	Bottom Rod Assy AL=39.377", CL=40"		71.00

## REFERENCE NOTES:

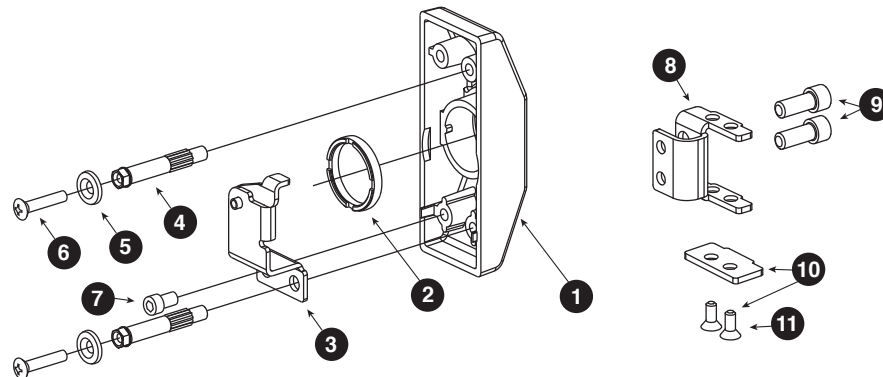
- Complete rod and latch assembly includes standard rod (4270100017) and (Nut.101).

Prices subject to change without notice

# 2390 Series

## Cylinder Assembly

2390



Part No.	Description	Finish	Pkg Qty	List Price
1	HOUSING.123	P28	each	77.00
	HOUSING.124	P13	each	77.00
	HOUSING.125	P35	each	77.00
2	971974-00	-	each	12.00
3	BRKTASY.118	-	each	38.00
4	971585-89	-	each	9.00
5	WASHER.120	DC35	10	12.00
5	WASHER.121	US32D	10	12.00
6	SCREW.1083	US32D	10	14.00
7	SCREW.1082	-	10	14.00
8	BRKT.152	-	each	21.00
9	SCREW.1084	-	10	15.00
10	BRKTASY.155	-	each	41.00
11	SCREW.1085	-	each	14.00

## Strike/Mullion/Trim

### Strike

Part No.	Description	Finish	Pkg Qty	List Price
SHIM.112	PB48 Strike Shim	-	10	22.00
SCREW.1038	Screw 8-32 x 1/2" UFPHMS	BLACK	25	13.00
SCREW.1032	Screw 8-32 x 1/2" UFPHMS	US32D	25	13.00
SHIM.150	TD35 Strike Shim	BLACK	each	23.00
SCREW.1016	TD35 Screw 10-32 x 1" FPHMS	BLACK	25	20.00
4270109590	TD35 Wear Strip	-	each	11.00
RIVET.101	TD35 Drive Rivet	-	25	30.00

### Mullion

4270108954	RM170 Mullion Bracket Pkg	-	each	89.00
4270107489	RM150 Mullion Bracket Pkg	-	each	84.00

### Trim

STUD.102	9970 Mounting Stud	-	10	28.00
----------	--------------------	---	----	-------

Prices subject to change without notice